

STAINLESS STEEL 304 PRESS FIT FITTINGS (M PROFILE)

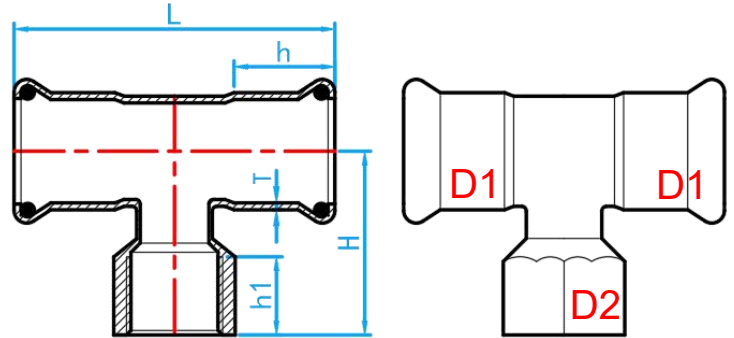


A Product of the nPressGuard® Solution



COMPLY WITH BSEN1254-2: 1998

FI TEE



CROSS SECTIONAL VIEW

DIMENSIONS

SKU	SIZE D1xD1xD2 (mm x mm x inch)	L (mm)	H (mm)	h (mm)	h1 (mm)	T (mm)	WEIGHT (kg)	PCS/CTN
SSPFNFIT01515	15×15×1/2" BSP	70	36	20	15.5	1.5	0.072	150
SSPFNFIT02015	22×22×1/2" BSP	76	37	21	15.5	1.5	0.104	140
SSPFNFIT02020	22×22×3/4" BSP	76	39	21	16.0	1.5	0.140	120
SSPFNFIT02515	28×28×1/2" BSP	87	39	23	15.5	1.5	0.134	80
SSPFNFIT02520	28×28×3/4" BSP	87	40	23	16.0	1.5	0.150	60
SSPFNFIT02525	28 X 28 X 1" BSP	87	45	23	20.0	1.5	0.210	60
SSPFNFIT03506	35×35×1/4" BSP	100	42	26	15.5	1.5	0.180	60
SSPFNFIT03515	35×35×1/2" BSP	100	42	26	15.5	1.5	0.185	60
SSPFNFIT03520	35×35×3/4" BSP	100	54	26	16.0	1.5	0.191	60
SSPFNFIT03525	35×35×1" BSP	100	48	26	20.0	1.5	0.170	60
SSPFNFIT03535	35×35×11/4" BSP	100	52	26	21.0	1.5	0.230	40
SSPFNFIT04215	42×42×1/2" BSP	118	47	31	15.5	1.5	0.235	60
SSPFNFIT04220	42×42×3/4" BSP	118	47	31	16.0	1.5	0.240	50
SSPFNFIT04225	42×42×1" BSP	118	53	31	20.0	1.5	0.265	50
SSPFNFIT04235	42×42×11/4" BSP	118	57	31	21.0	1.5	0.300	50
SSPFNFIT04242	42×42×11/2" BSP	118	61	31	25.0	1.5	0.310	40
SSPFNFIT05015	54×54×1/2" BSP	142	55	36	15.5	1.5	0.330	40
SSPFNFIT05020	54×54×3/4" BSP	142	54	36	16.0	1.5	0.357	34
SSPFNFIT05025	54×54×1" BSP	142	59	36	20.0	1.5	0.357	32
SSPFNFIT05035	54×54×11/4" BSP	142	62	36	21.0	1.5	0.350	30
SSPFNFIT05042	54×54×11/2" BSP	142	64	36	21.0	1.5	0.410	30
SSPFNFIT05050	54×54×2" BSP	142	70	36	25.0	1.5	0.480	32
SSPFNFIT06515	67×67×1/2" BSP	202	61	50	15.5	1.8	0.700	18
SSPFNFIT06520	67×67×3/4" BSP	202	61	50	16.0	1.8	0.710	15
SSPFNFIT06525*	67×67×1" BSP	202	66	50	20.0	1.8	0.720	15
SSPFNFIT06535*	67×67×11/4" BSP	202	70	50	21.0	1.8	0.765	15
SSPFNFIT06542*	67×67×11/2" BSP	202	72	50	25.0	1.8	0.800	15
SSPFNFIT06550*	67×67×2" BSP	202	78	50	25.0	1.8	0.820	15
SSPFNFIT08015	76×76×1/2" BSP	230	66	51	15.5	2.0	0.955	12
SSPFNFIT08020	76×76×3/4" BSP	230	66	51	16.0	2.0	0.970	12
SSPFNFIT08025	76×76×1" BSP	230	73	51	20.0	2.0	0.990	12
SSPFNFIT10025*	108×108×1" BSP	310	87	75	20.0	2.0	1.900	4
SSPFNFIT10050	108×108×2" BSP	310	100	75	25.0	2.0	2.050	3

*This item requires special ordering. Please consult with a salesperson for the estimated lead time.